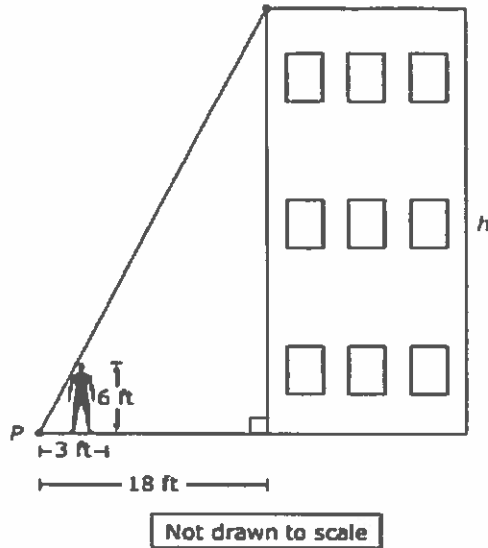


1.)

In the diagram a person who is 6 ft tall is standing on the ground 3 ft away from point P . A line segment drawn from the top corner of the building to point P creates two similar triangles.



Which proportion can be used to find h , the height of the building in feet?

F $\frac{3}{h} = \frac{18}{6}$

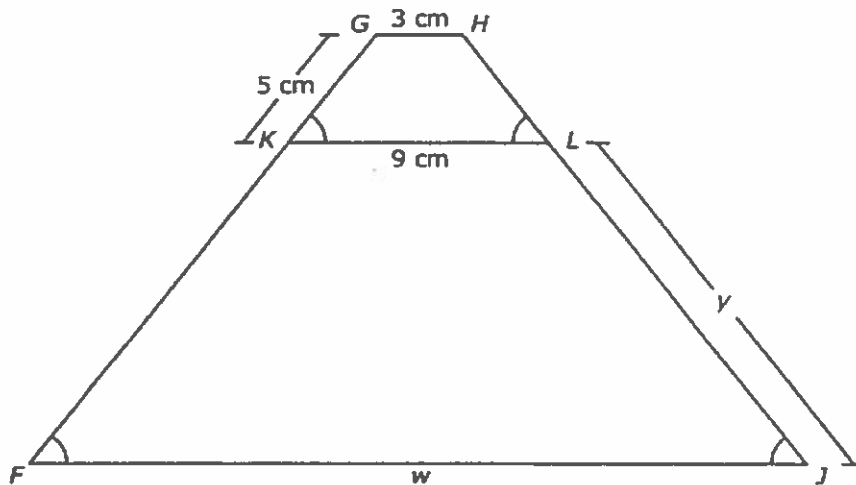
H $\frac{3}{15} = \frac{h}{6}$

G $\frac{6}{3} = \frac{h}{18}$

J $\frac{6}{3} = \frac{18}{h}$

2.)

Janelle drew KL in isosceles trapezoid $FGHJ$ to create similar trapezoids $FKLJ$ and $KGHL$.



Based on the given information, what are the values of y and w in centimeters?

A $y = 11$ cm and $w = 15$ cm

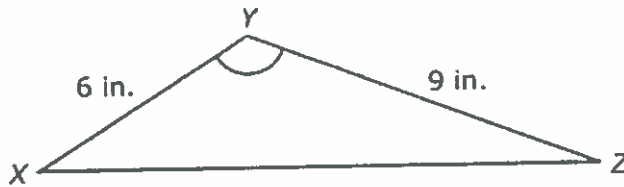
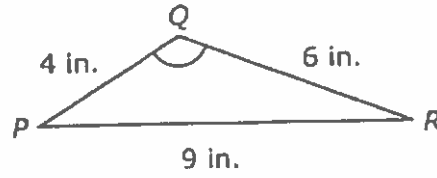
B $y = 15$ cm and $w = 15$ cm

C $y = 11$ cm and $w = 27$ cm

D $y = 15$ cm and $w = 27$ cm

3.)

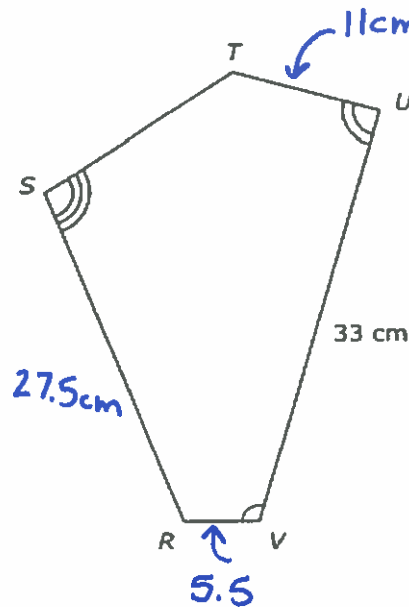
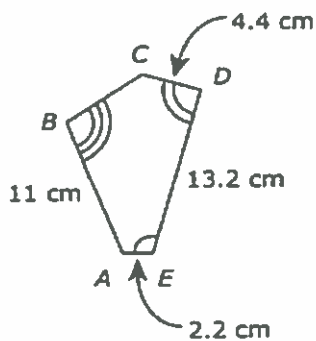
Triangle PQR is similar to triangle XYZ .



What is the length of \overline{XZ} ?

- F 11 in.
- G 13.5 in.
- H 9 in.
- J 20.25 in.

4.) Pentagon $ABCDE$ is similar to pentagon $RSTUV$. The perimeter of pentagon $ABCDE$ is 36.8 centimeters.



What is the length of \overline{ST} ?

- A 18 cm
- B 25.8 cm
- C 15 cm
- D 19.8 cm