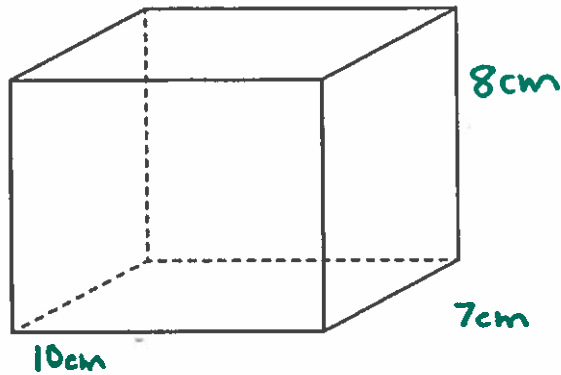


1.)

A rectangular prism and its dimensions are shown in the diagram.



+	0	0	0	0			0	0	
-	1	1	1	1			1	1	
	2	2	2	2			2	2	
	3	3	3	3			3	3	
	4	4	4	4			4	4	
	5	5	5	5			5	5	
	6	6	6	6			6	6	
	7	7	7	7			7	7	
	8	8	8	8			8	8	
	9	9	9	9			9	9	

What is the total surface area of this prism in square inches?

Record your answer and fill in the bubbles on your answer document. Be sure to use the correct place value.

$S = Ph + 2B$

Base →

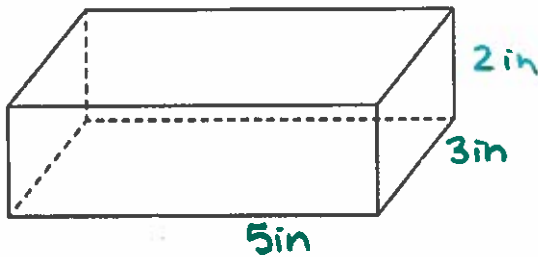
P =

B =

h =

2.)

A rectangular prism and its dimensions are shown in the diagram.



+	0	0	0	0			0	0
-	1	1	1	1			1	1
	2	2	2	2			2	2
	3	3	3	3			3	3
	4	4	4	4			4	4
	5	5	5	5			5	5
	6	6	6	6			6	6
	7	7	7	7			7	7
	8	8	8	8			8	8
	9	9	9	9			9	9

What is the total surface area of this rectangular prism in square inches?

Record your answer and fill in the bubbles on your answer document. Be sure to use the correct place value.

$S = Ph + 2B$

Base →

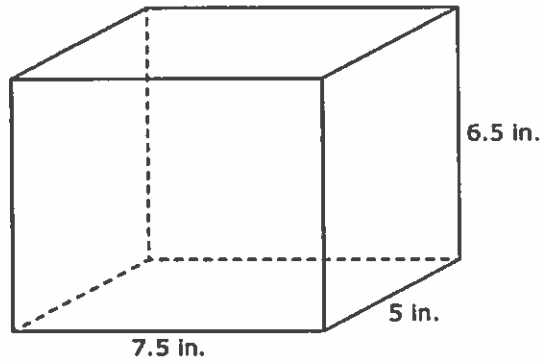
P =

B =

h =

3.)

A rectangular prism and its dimensions are shown in the diagram.



+	0	0	0	0	.	0	0		
-	1	1	1	1		1	1		
	2	2	2	2		2	2		
	3	3	3	3		3	3		
	4	4	4	4		4	4		
	5	5	5	5		5	5		
	6	6	6	6		6	6		
	7	7	7	7		7	7		
	8	8	8	8		8	8		
	9	9	9	9		9	9		

What is the total surface area of this prism in square inches?

Record your answer and fill in the bubbles on your answer document. Be sure to use the correct place value.

$S = Ph + 2B$

Base →

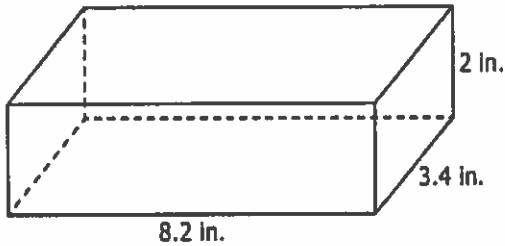
P =

B =

h =

4.)

A rectangular prism and its dimensions are shown in the diagram.



+	0	0	0	0	.	0	0
-	1	1	1	1		1	1
	2	2	2	2		2	2
	3	3	3	3		3	3
	4	4	4	4		4	4
	5	5	5	5		5	5
	6	6	6	6		6	6
	7	7	7	7		7	7
	8	8	8	8		8	8
	9	9	9	9		9	9

What is the total surface area of this rectangular prism in square inches?

Record your answer and fill in the bubbles on your answer document. Be sure to use the correct place value.

$S = Ph + 2B$

Base →

P =

B =

h =
